

4 3 2 1

F

E

D

C

B

A

F

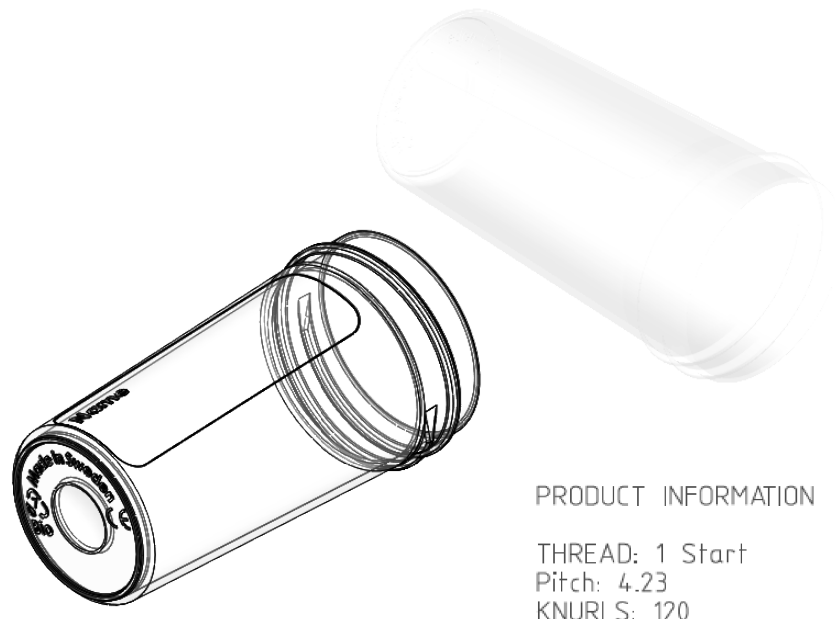
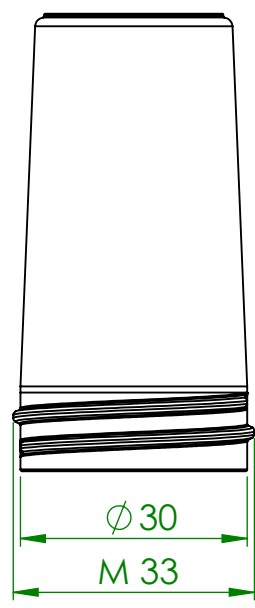
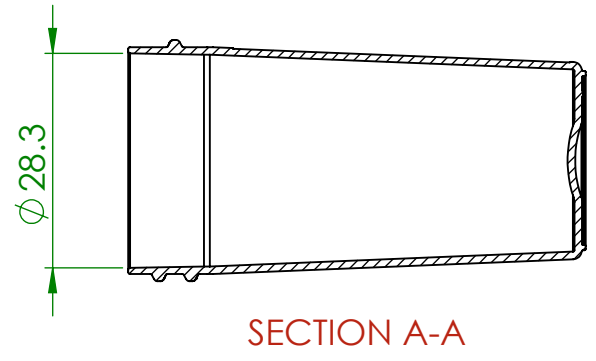
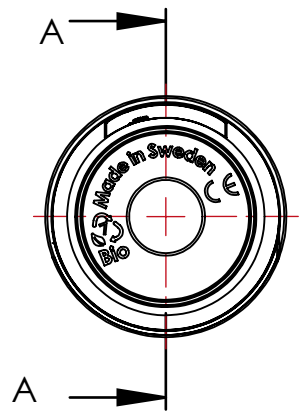
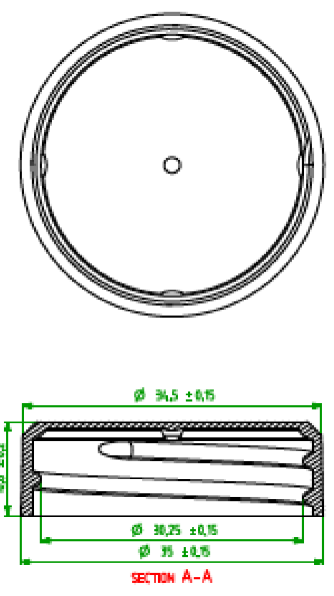
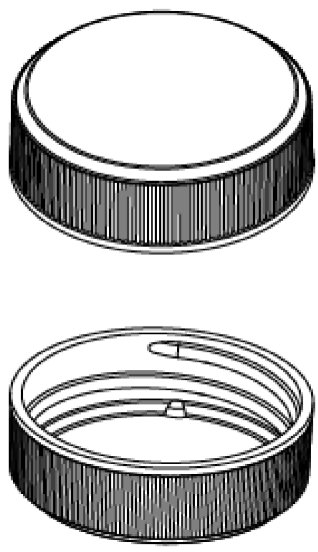
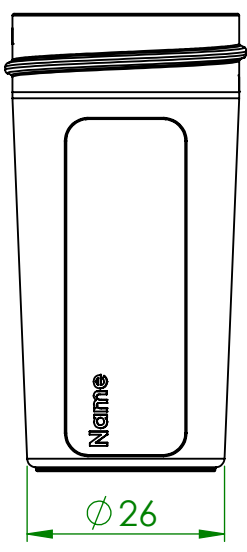
E

D

C

B

A



PRODUCT INFORMATION
 THREAD: 1 Start
 Pitch: 4.23
 KNURLS: 120
 LINER: See specification



Medicaplastic

Vials with screw Caps 25 ml

skal 1:1

4 3 2 1